

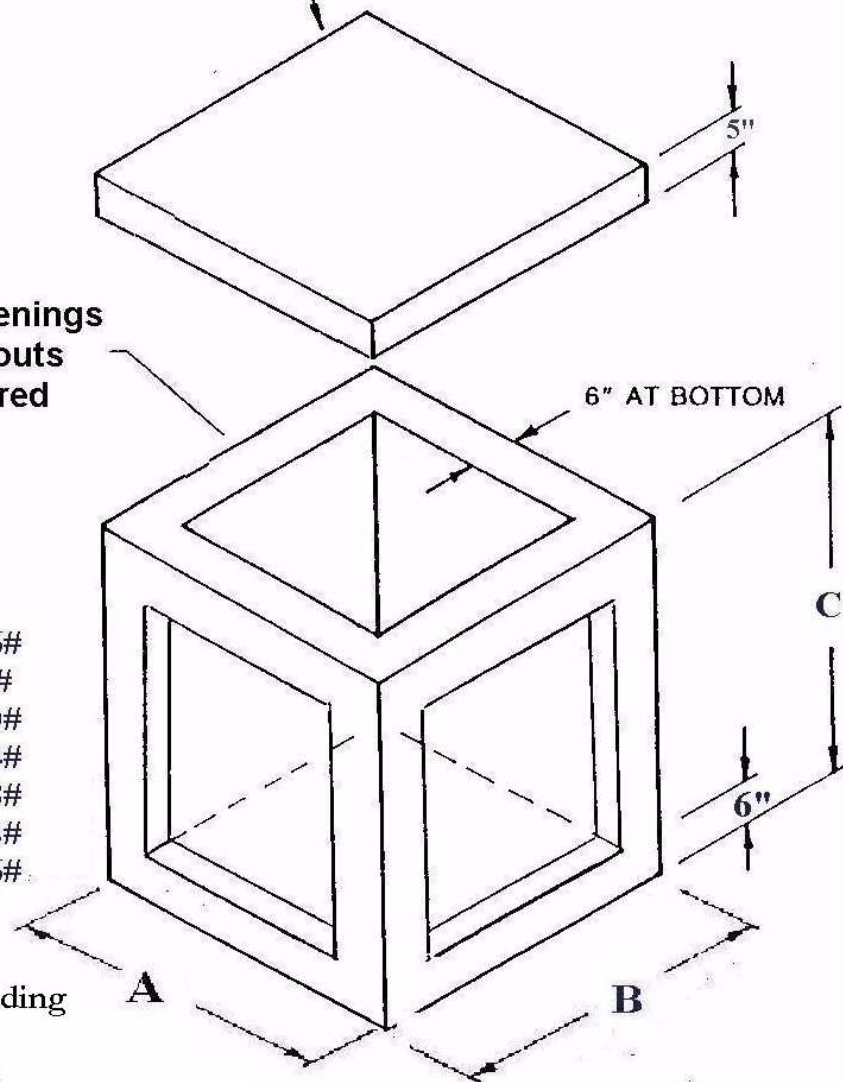
Concrete Top Shown, Openings  
Can Be Cast In As Required.  
Cast Iron Top Available.

Sidewall Openings  
Or Knockouts  
As Required

**Weights**

- 2-0 CB = 1,776#
- Top Slab = 757#
- 2-6 CB = 2,220#
- 3-0 CB = 2,664#
- 3-6 CB = 3,108#
- 4-0 CB = 3,552#
- 4-6 CB = 3,996#

Designed For AASHTO H-20 Loading  
Concrete  
Minimum 4000 psi @ 28 Days  
Air Entrainment - 5% - 8%



# Catch Basins

	A	B	C
2-0 CB	3'0"	3'0"	3'6"
2-6 CB	3'6"	3'6"	3'0"
3-0 CB	3'6"	3'6"	3'6"
3-6 CB	3'6"	3'6"	4'0"
4-0 CB	3'6"	3'6"	4'6"
4-6 CB	3'6"	3'6"	5'0"

## *Grimm Building Materials Co., Inc.*

Phone - (518) 272-1100 Fax - (518) 272-0229

Precast Concrete Division

96 Albany Avenue

P.O. Box 157

Green Island - Troy, New York 12181

[www.grimmbldg.com](http://www.grimmbldg.com)